

## ITR3XX-XXXX iSWITCH



### TECHNICAL DATA

Device	ITR3XX-XXXX
Power Supply	30V DC
Output Current	18mA
Buttons	1 x KNX programming
LED indicators	1xNavigation LED
Mode of commissioning	S-Mode
Type of protection	IP 20
Temperature Range	Operation (- 10°C ...70 °C)
Temperature Range	Storage (- 25°C ...100 °C)
Maximum air humidity	<90 RH
Flammability	Non-flammable product
Colour	Variations available
Dimensions	90x90x11,82
Certification	
Configuration	Configuration with ETS

### GENERAL INFORMATION

Interra iSwitch ITR3XX-XXXX is a wall-mounting room controller device for on/off switching of loads, dimming of lighting devices, control of motor drives or other programmable switching and control functions. The product is equipped with integrated temperature sensor and humidity sensor. iSwitch can act as a room probe or thermostat, both in heating and cooling mode. When acting as a room thermostat, the device is equipped with a user interface for displaying room conditions and modifying the setpoint temperature. iSwitch product range has models with LCD and without LCD. All models can be programmable with only one database.

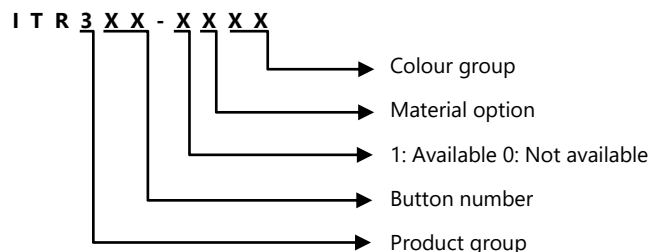
Device is equipped with an integrated KNX bus communication module and is designed for wall installation on flush mounting box. Several colour variations and materials of plates are available (plastic, aluminium, stainless steel glass and each materials has colour options)

which can be combined in order to obtain different combinations. Depending on the user's request, all RAL colour codes apart from the standards can be produced.

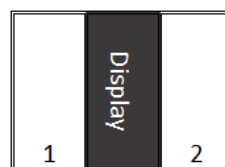
### MODELS AND VARIATIONS

iSwitch product range has 3 models with LCD and 6 models without LCD.

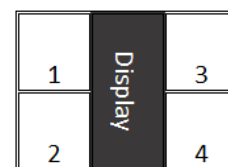
#### Coding Standard:



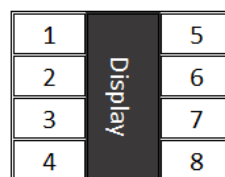
#### Models with LCD



ITR302-1XXX

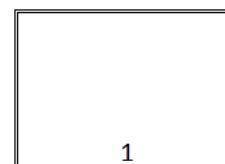


ITR304-1XXX

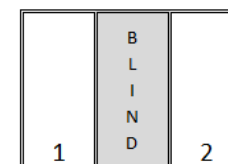


ITR308-1XXX

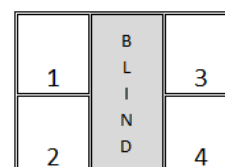
#### Models without LCD



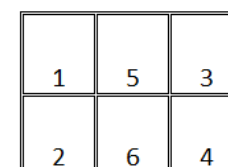
ITR301-0XXX



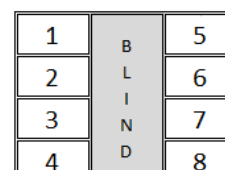
ITR302-0XXX



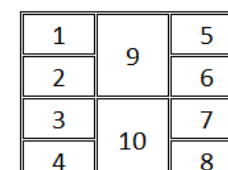
ITR304-0XXX



ITR306-0XXX



ITR308-0XXX



ITR310-0XXX

Plastic	Aluminium	Stainless-Steel	Glass
01 - Black	00 - Natural (no color - brushed)	00 - Natural (no color - brushed)	01 - Black
02 - White	01 - Black	03 - Champagne (brushed)	02 - White
04 - Anthracite Matt	02 - White (brushed)	05 - Antique bronze	
	03 - Champagne (brushed)		

## MAIN FUNCTIONAL CHARACTERISTICS

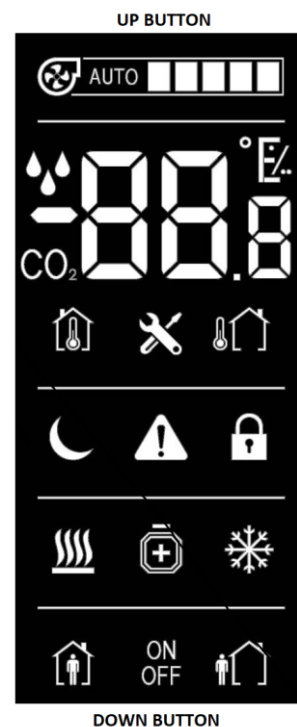
- All 9 models can be programmable with only one database.
- Switching, toggle, dimming, shutter/blinds, thermostat controls, scenes, value, 2 channels, step switching mode features are available.
- 2-points, PWM or continuous room temperature regulation
- Operating modes: comfort, standby, economy and building protection.
- Automatic switching between operating modes.
- Seasonal modes: heating and cooling with possibility of bus seasonal changeover.
- Temperature measuring through integrated sensors with possibility of sending the value on the bus.
- LED configuration is available.
- Locking is available for all features.
- External-internal temperature, (measured, setpoint, outdoor values as °C and °F), operating mode, settings, CO<sub>2</sub> concentration, fan control, humidity, on/off features are displayed on LCDs.
- Relative humidity measuring through the integrated sensor with possibility of sending the value on the bus
- Humidification and dehumidification control.

## LCD DISPLAY

Switch has an LCD display for 3 models. LCD display is located between the gangs. The symbols on LCD display are explained below. Up button

Long/Short press functions: On, Off, Toggle, Step value switching, Setpoint control, Operating mode switch over

Display ON/OFF: This is an indicator has separated object.

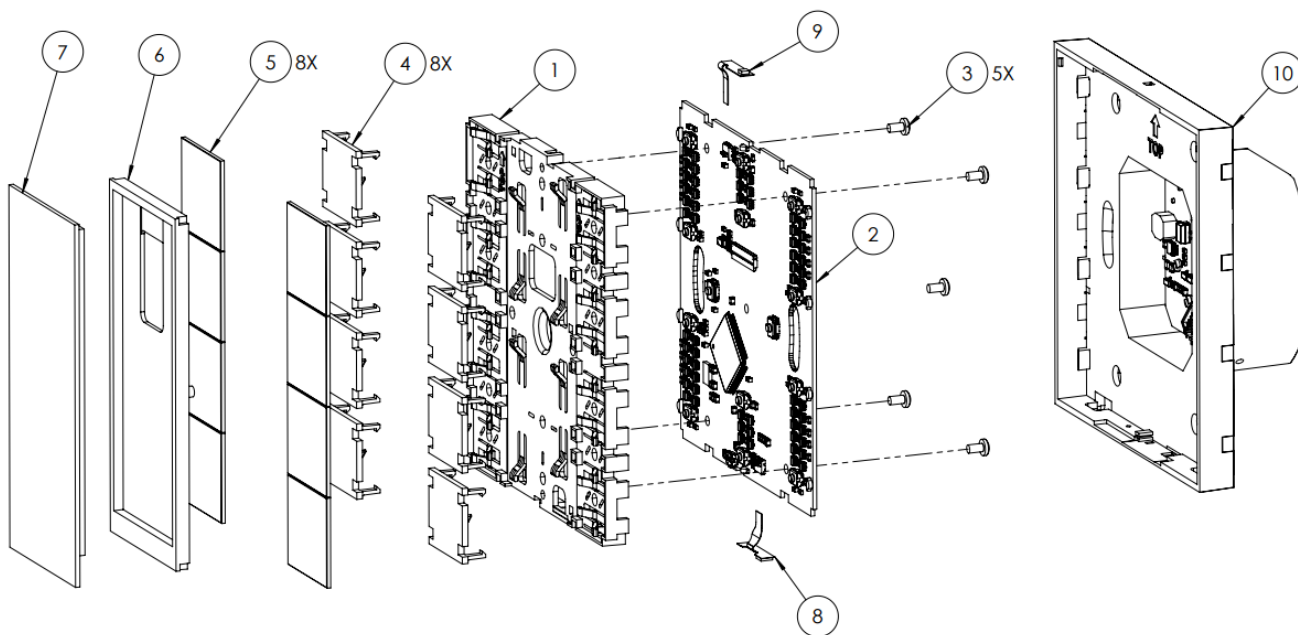


Symbol	Meaning	Symbol	Meaning
	Temperature (in °C or °F), relative humidity (in %), CO <sub>2</sub> concentration		Heating (Symbol is flashing on enable position)
	Fan Control (5 Steps and Auto)		Cooling (Symbol is flashing on enable position)
	Internal temperature		Economy mode (Symbol is flashing on enable position)
	External temperature		Building protection (Symbol is flashing on enable position)
	Indicator		Comfort mode (Symbol is flashing on enable position)
	Alarm		Standby mode (Symbol is flashing on enable position)
	Locking		Setpoint temperature

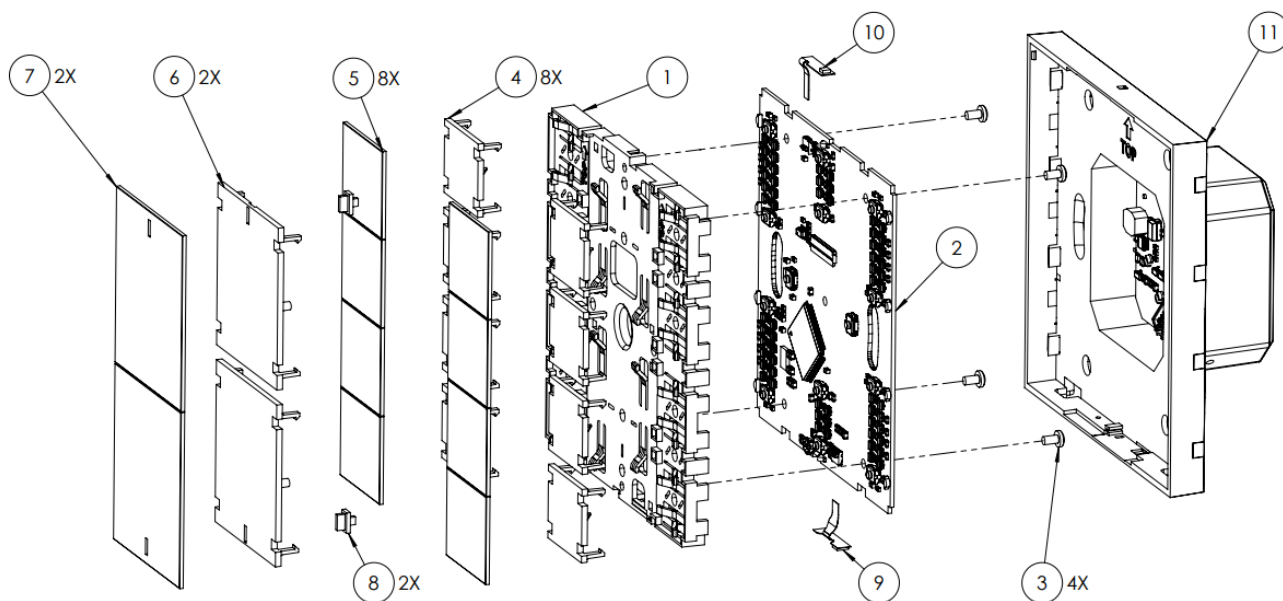
## MOUNTING

The device has IP20 protection degree. Therefore suitable for use in dry interior rooms. The device can only be mounted on a round or square wall flush mounting box. Mounting steps shown below for a sample model with LCD display and for a sample model without LCD display as well.

### Model with LCD:



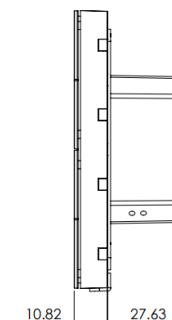
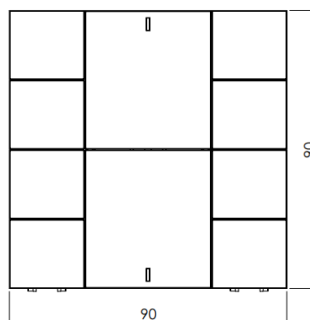
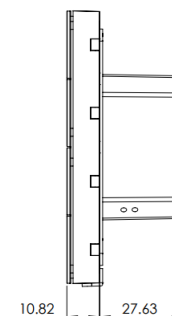
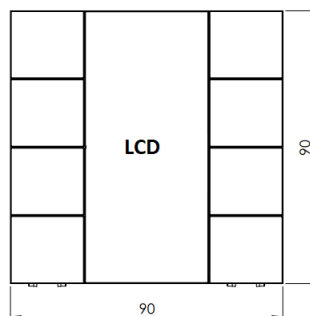
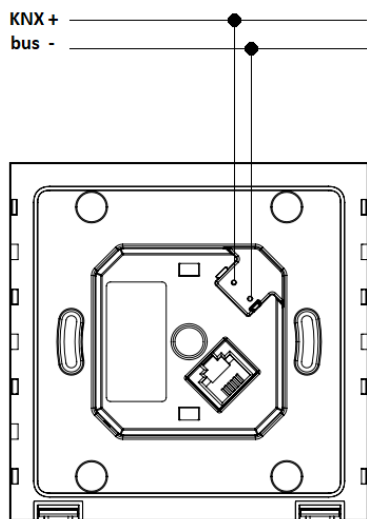
Item No	Part Number	Description	Qty.
1	Middle part	ABS-PC Mid Part - Common for All	1
2	Main board	ITR-301-0CDD	1
3	Screw	M2x4 (mm)	5
4	Button mechanism		8
5	Button cover	Please check the material first	8
6	LCD display cover		1
7	LCD display	Please check the material first	1
8	Temp. and humidity sensor		1
9	Amb. Sensor		1
10	ITR-300-000		1

**Model without LCD:**


Item No	Part Number	Description	Qty.
1	Middle part	ABS-PC Mid Part - Common for All	1
2	Main board	ITR-301-0CDD	1
3	Screw	M2x4 (mm)	4
4	Button mechanism		1
5	Button cover	Please check the material first	8
6	Button mechanism		1
7	Button cover blind	Please check the material first	2
8	Front diffuser		2
9	Temp. and humidity sensor		1
10	Amb. sensor		1
11	ITR-300-000		1

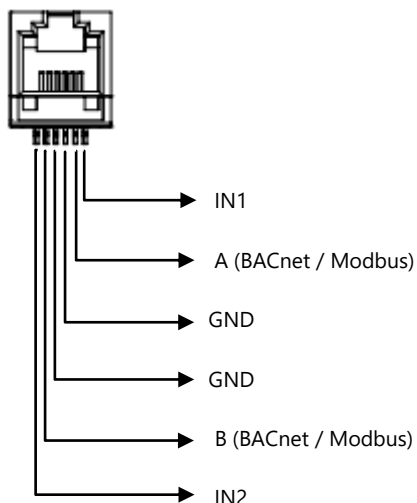
## CONNECTION TO KNX BUS LINE

The connection of the KNX bus line is made with the terminal block (black/red) included rear side of device and inserted into the slot of housing.



## EXTERNAL INTERFACE

The connector has 6 pins. Two binary inputs are available and also A and B connectors will be performed as BACnet or Modbus in future.



## SAFETY INSTRUCTIONS

- Installation should only be performed by qualified electricians following applicable regulations on preventing accidents, as required by law.
- Do not connect the main voltage (230VAC) or any other external voltages to any point of the KNX bus.
- Connecting an external voltage might put the KNX system into risk.
- Ensure that there is enough insulation between the 230VAC voltage cables and the KNX bus.
- Do not expose this device to direct sunlight, rain or high humidity.
- Clean the product with a clean, soft, damp cloth.
- Do not use aerosol sprays, solvents or abrasives that might damage the device.

## DIMENSIONS (mm)